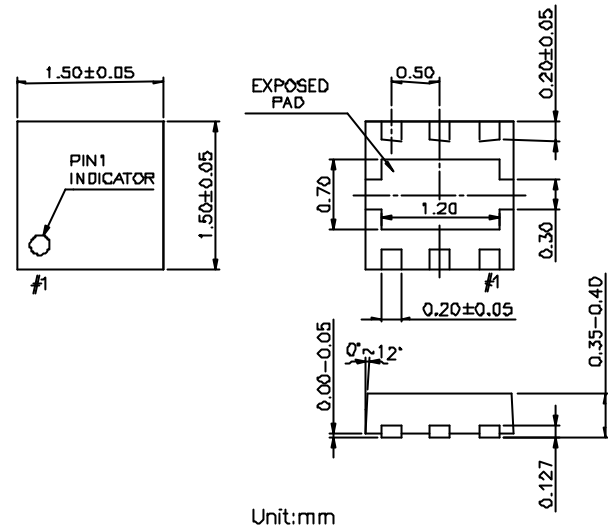


Features

- **Low Insertion Loss:** 0.50 dB @ 2.7 GHz
0.75 dB @ 5.8 GHz
- **Isolation:** 25.0 dB @ 2.7 GHz
32.0 dB @ 5.8 GHz
- **Low DC Power Consumption**
- **Miniature USON6L (1.5x1.5x0.4 mm) Using Lead (Pb) free materials with RoHS compliant**
- **PHEMT process**

USON6L (1.5x1.5X0.4 mm)



Unit:mm

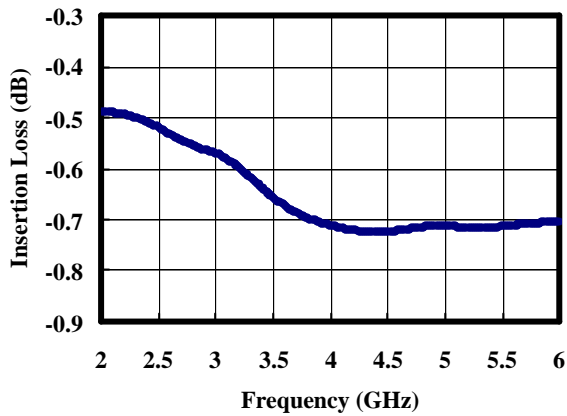
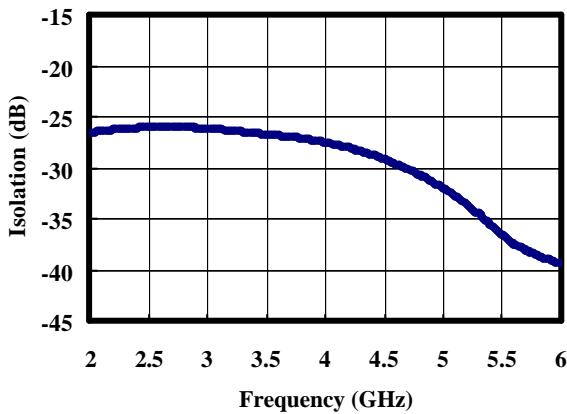
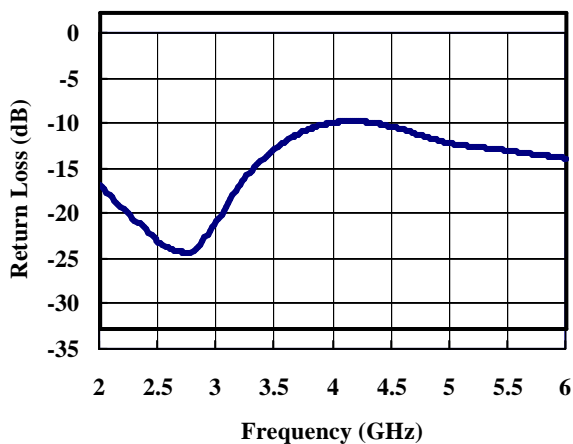
Description

The HWS500 is a GaAs PHEMT MMIC SPDT switch operating at 0.5-6 GHz in a low cost miniature USON6L (1.5 x 1.5 x 0.4 mm) plastic lead (Pb) free package. The HWS500 features low insertion loss and high isolation with very low DC power consumption. This switch can be used in WiMAX or IEEE 802.11a/b/g WLAN PC card and access point applications as transmit/receive switch, antenna diversity switch, or band-selection switch.

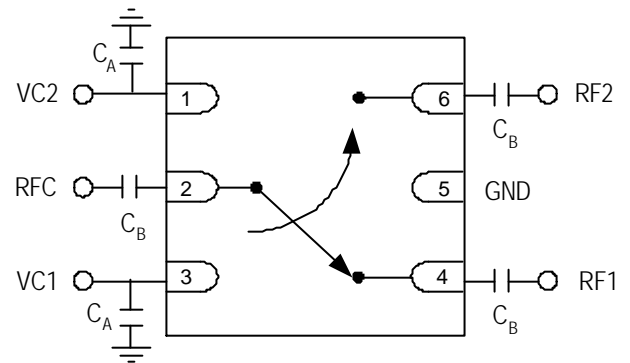
Electrical Specifications at 25° C with 0, +3V Control Voltages

Parameter	Test Conditions	Min.	Typ.	Max.	Unit
Insertion Loss	0.50-6.00 GHz		0.75		dB
	2.30-2.70 GHz		0.50	0.60	dB
	3.30-3.90 GHz		0.60	0.80	dB
	5.15-5.88 GHz		0.75	0.90	dB
Isolation	0.50-6.00 GHz		25.0		dB
	2.30-2.70 GHz	20.0	25.0		dB
	3.30-3.90 GHz	20.0	25.0		dB
	5.15-5.88 GHz	30.0	32.0		dB
Return Loss	0.50-6.00 GHz		15		dB
Input Power for 0.1 dB Compression	0.50-6.00 GHz @+3V @+5V		33		dBm
			37		dBm
Second Harmonic	Pin=20 dBm		-75		dBc
Third Harmonic	Pin=20 dBm		-75		dBc
Input Third Order Intermodulation Intercept Point	25 dBm Per Tone, 3.80 GHz @+3V @+5V		57		dBm
			60		dBm
Control Current	@+3V		5	20	uA

Note: All measurements made in a 50 ohm system with 0/+3.0V control voltages, unless otherwise specified.

Typical Performance Data with 8pF Capacitors @ +25°C
Insertion Loss vs. Frequency

Isolation vs. Frequency

Return Loss vs. Frequency

Absolute Maximum Ratings

Parameter	Absolute Maximum
RF Input Power	+36 dBm @ +3V
Control Voltage	+6V
Operating Temperature	-40°C to +85°C
Storage Temperature	-65°C to +150°C
Electrostatic Discharge Machine Model	Class M1

Pin Out (Top View)


Note:

1. DC blocking capacitors $C_B=8\text{pF}$ are required on all RF ports.
2. RF by-pass capacitors $C_A=8\text{pF}$.
3. Exposed pad in the bottom must be connected to ground by via holes.

Logic Table for Switch On-Path

VC1	VC2	RFC-RF1	RFC-RF2
1	0	On	Off
0	1	Off	On

'1' = +3V to +5V
'0' = 0V to +0.2V